

NOTES / MATERIAL:

MATERIAL AS NOTED

***NOTE: CURRENT PART COMES IN STANDARD 10' STRAIGHT SECTION**
***NOTE: CURRENT DIMENSIONS ARE BASED ON THE SCALE ON PLANS, ACTUAL DIMENSIONS WILL NEED TO VERIFIED IN FIELD**

CONTRACTOR:

ARCHITECT/DESIGNER:

PROJECT TITLE/ LOCATION:

SCALE: AS NOTED

DRAFTED BY: PC DATE: 09.16.2024

SALES REPRESENTATIVE _____ DATE _____

- REQUEST FOR QUOTATION
- SUBMIT FOR QUOTATION
- SUBMIT FOR APPROVAL
- APPROVED FOR FABRICATION
- APPROVED WITH CHANGES
- DISAPPROVED, RESUBMIT
- FOR YOUR FILES

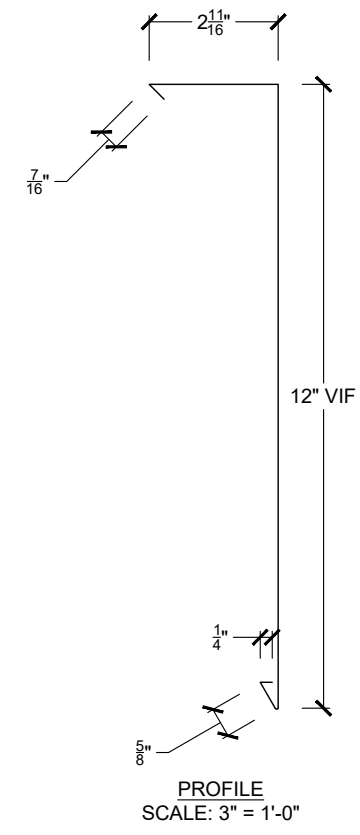
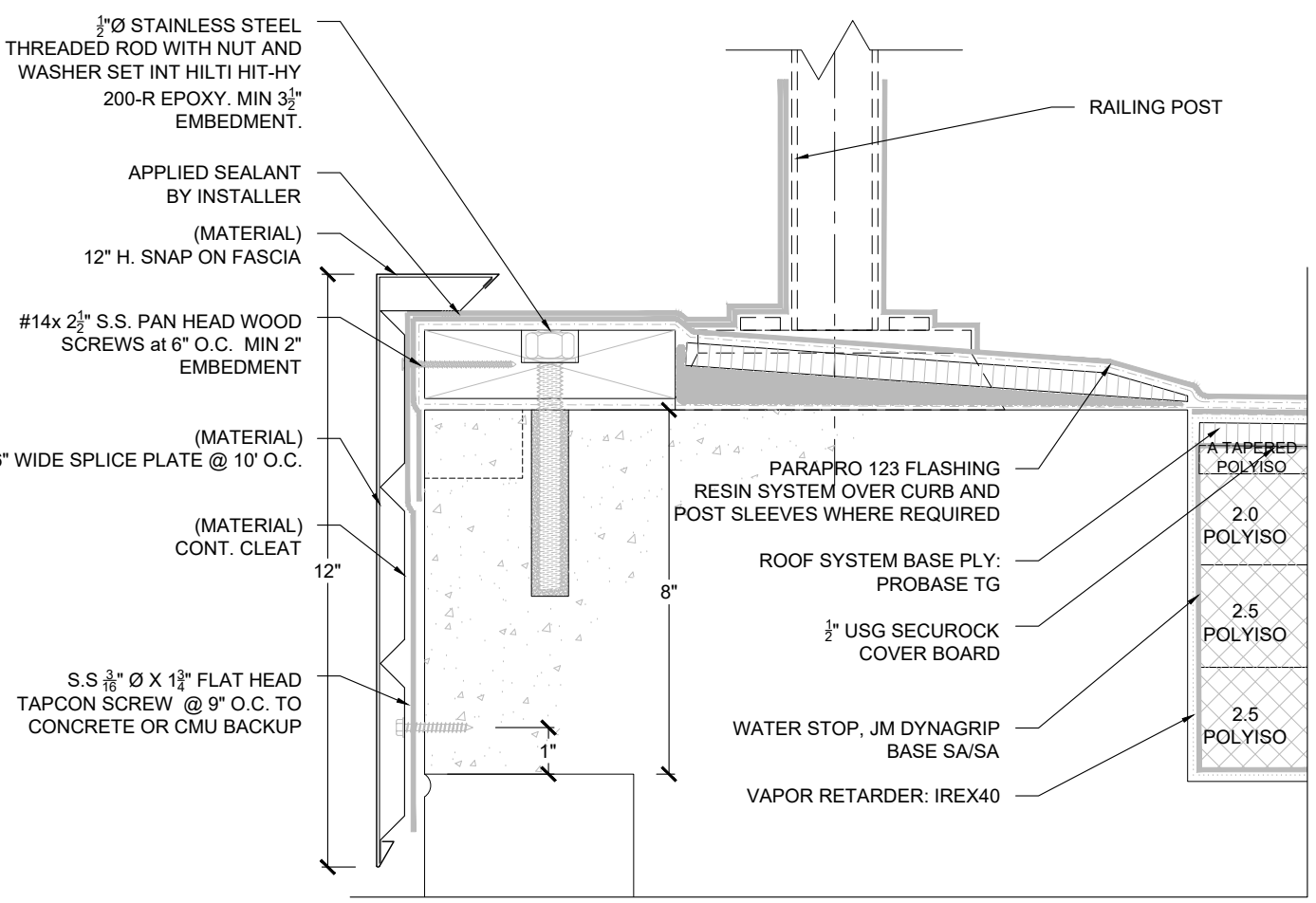
ONCE THE FABRICATION BEGINS, ITEMS CAN NOT BE RETURNED. THE DETAILS FOR THIS JOB WERE CHECKED AND APPROVED BY:

AUTHORIZED CUSTOMER SIGNATURE _____

TITLE _____ DATE _____

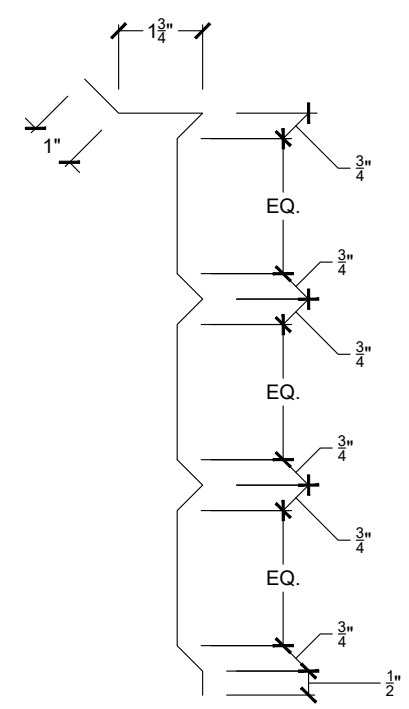
PAGE 1

BB01
SNAP ON FASCIA

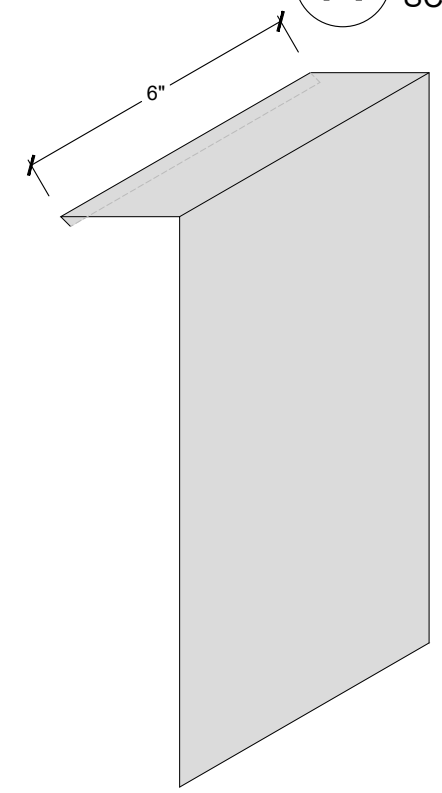


1 TYPICAL ROOFING TERMINATION DETAIL @ BULKHEAD
 BB01 SCALE: 3" = 1'-0"

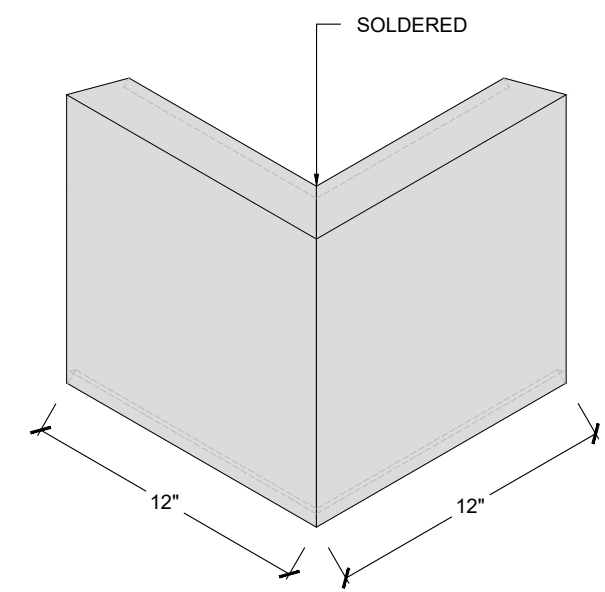
A (MATERIAL) - 12" HIGH SNAP ON FASCIA (PROFILE & ISO)
 SCALE: AS NOTED



B (MATERIAL) - CONT. CLEAT (PROFILE)
 SCALE: 3" = 1'-0"



C (MATERIAL) - 6" WIDE SPLICE PLATE (ISO)
 SCALE: 3" = 1'-0"



D (MATERIAL) - MITER CORNER (ISO)
 SCALE: 1 1/2" = 1'-0"

****NOTE: PLEASE CALL 718.433.2501 TO CERTIFY THAT MATERIAL ORDERED FROM THESE APPROVED PRODUCT SUBMITTALS WERE FABRICATED BY THE APPROVED MANUFACTURER, B&B SHEET METAL****

NOTES / MATERIAL:

MATERIAL AS NOTED

***NOTE: CURRENT PART COMES IN STANDARD 10' STRAIGHT SECTION**
***NOTE: CURRENT DIMENSIONS ARE BASED ON THE SCALE ON PLANS, ACTUAL DIMENSIONS WILL NEED TO VERIFIED IN FIELD**

CONTRACTOR:
 RENOVATE INC.
 432 MANOR RD
 STATEN ISLAND, NY 10314
 P:718-772-1590

ARCHITECT/DESIGNER:
 SUPER STRUCTURE
 32 AVENUE OF THE AMERICAS
 NEW YORK, NY 10013
 TEL: 212 505 1133 FAX: 212 505 1726

PROJECT TITLE/ LOCATION:
 SOUTH JAMAICA II
 QUEENS, NY

SCALE: AS NOTED

DRAFTED BY: PC DATE: 09.16.2024

SALES REPRESENTATIVE DATE

- REQUEST FOR QUOTATION
- SUBMIT FOR QUOTATION
- SUBMIT FOR APPROVAL
- APPROVED FOR FABRICATION
- APPROVED WITH CHANGES
- DISAPPROVED, RESUBMIT
- FOR YOUR FILES

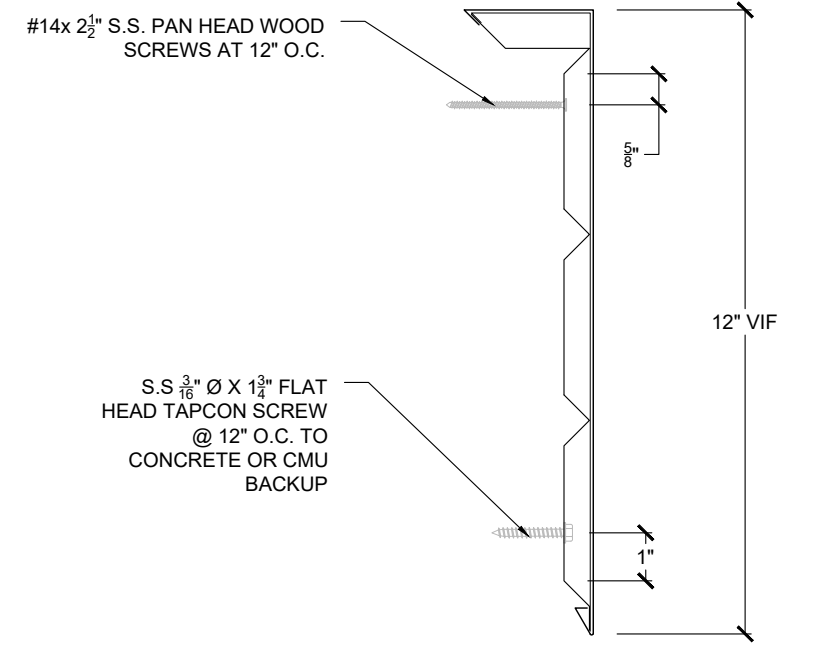
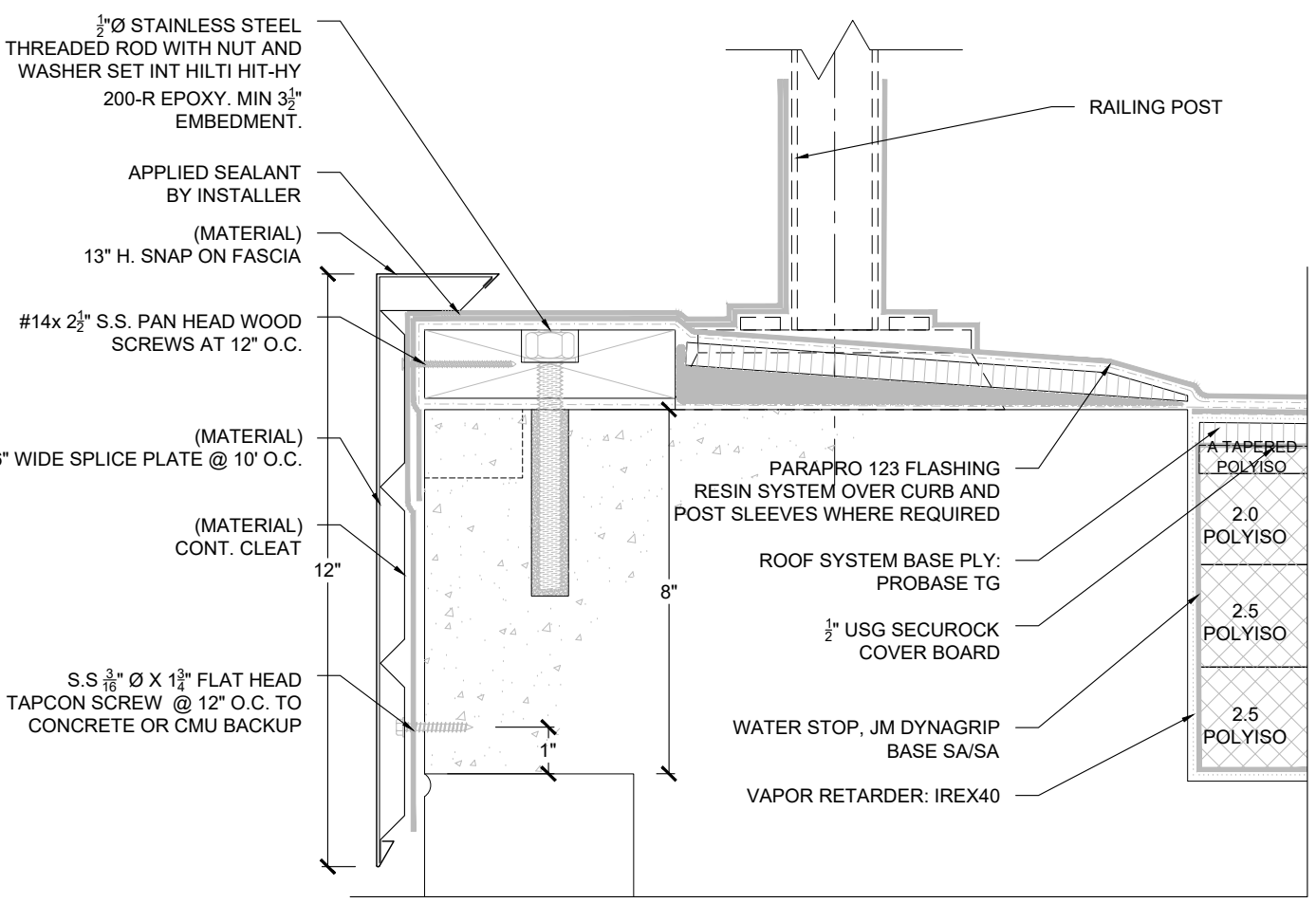
ONCE THE FABRICATION BEGINS, ITEMS CAN NOT BE RETURNED. THE DETAILS FOR THIS JOB WERE CHECKED AND APPROVED BY:

AUTHORIZED CUSTOMER SIGNATURE

TITLE DATE

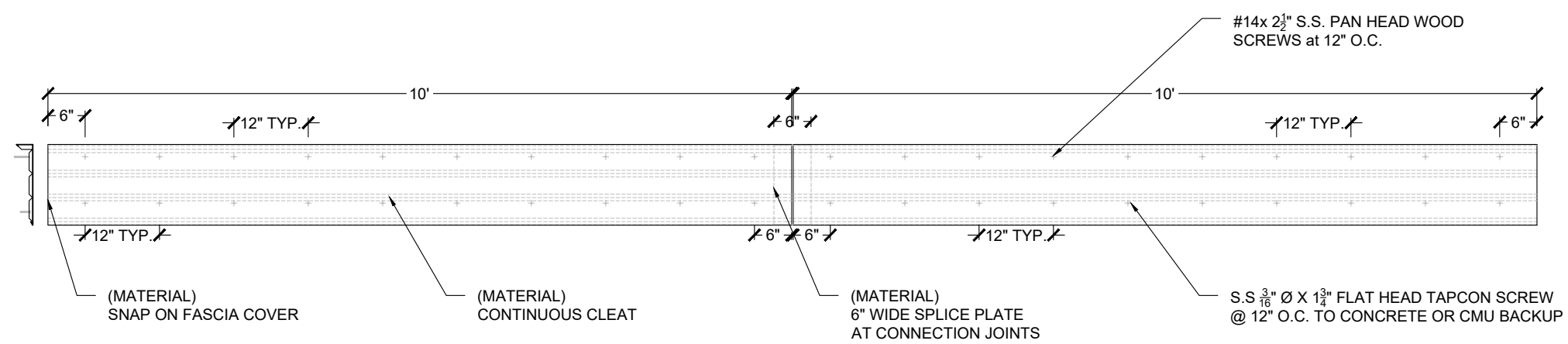
PAGE 2

BB01a
 FASTENER DIAGRAM



1 TYPICAL ROOFING TERMINATION DETAIL @ BULKHEAD
 BB01 SCALE: 3" = 1'-0"

A SNAP ON FASCIA SYSTEM (PROFILE)
 SCALE: 3" = 1'-0"



B SNAP ON FASCIA SYSTEM DIAGRAM - FRONT VIEW
 SCALE: NTS

****NOTE: PLEASE CALL 718.433.2501 TO CERTIFY THAT MATERIAL ORDERED FROM THESE APPROVED PRODUCT SUBMITTALS WERE FABRICATED BY THE APPROVED MANUFACTURER, B&B SHEET METAL****